

RAiO

RA0086

80 CH Segment/Common Driver For Dot Matrix LCD Specification

Version 1.1

December 29, 2009

Update History		
Version	Date	Description
1.0	July 07, 2009	Preliminary version
1.1	December 29, 2009	Add Section 7-2 Die Form and 7-3 PAD Coordinate

Chapter	Content	Page
1.	Introduction	4
2.	Features	4
3.	Pin Configuration	4
3-1	Internal Block Diagram	4
3-2	Pin Assignment	5
3-3	System Block Diagram	5
4.	Signal Description	6
4-1	Block Description	6
4-2	Pin Description	7
4-2-1	Output Voltage Level Control	8
4-2-2	LCD Driving Voltage Application Circuit	9
4-2-3	Data Shift Direction according to Control Signals	10
4-2-4	Usage of Data Pins	12
5.	Electrical Characteristics	12
5-1	Maximum Absolute Limit	12
5-2	DC Characteristics	13
5-3	AC Characteristics	15
5-4	Power Down Function	19
5-5	Operation Timing Diagram	20
5-5-1	4-bit Parallel Mode Interface Segment Driver	20
5-5-2	1-bit Serial Mode Interface Segment Driver	21
5-5-3	Single-type Interface Mode Common Driver	22
5-5-4	Dual-type Interface Mode Common Driver	23
5-5-5	Common / Segment Driver Timing (1/200 Duty)	24
6.	Application Information	25
6-1	4-bit Parallel Interface Mode (80-Ch. Segment Driver)	25
6-2	1-bit Serial Interface Mode (80-Ch. Segment Driver)	26
6-3	Single-type Interface Mode (80-Ch. Common Driver)	27
6-4	Dual-type Interface Mode (40-Ch. + 40-Ch. Common Driver)	28
6-5	Application Circuit Example	29
7.	Package	31
7-1	Package Information	31
7-2	Die Form	32
7-3	PAD Coordinate	33

1. Introduction

The RA0086 is an 80 channels LCD driver LSI which is fabricated by low power CMOS high voltage process technology. It can be used either as a COMMON driver or as a SEGMENT driver, by connecting its CS input to VDD or VSS. In segment driver mode, it can be interfaced in 1-bit serial or 4-bit parallel method by the controller. In common driver mode, dual type mode is applicable. And in segment mode application, the power down function reduces power consumption.

2. Features

- ◆ Power supply voltage: + 5V±10 %, + 3V±10%
- ◆ Supply voltage for display: 6 to 30V (V_{DD}-V_{EE})
- ◆ In 80-SEGMENT driver or 80-COMMON driver selection, to set CS-pin voltage is VSS or VDD
- ◆ 4-bit parallel / 1-bit serial data processing (in segment mode)
- ◆ Single mode / dual mode operation (in common mode)

- ◆ Power down function (in segment mode)
- ◆ Applicable LCD duty: 1/64 – 1/256
- ◆ Interface

DRIVERS	
COM(Cascade)	SEG(Cascade)
RA0086	RA0086

- ◆ High voltage CMOS process
- ◆ Available package Type: LQFP-100 pin, Die

3. Pin Configuration

3-1 Internal Block Diagram

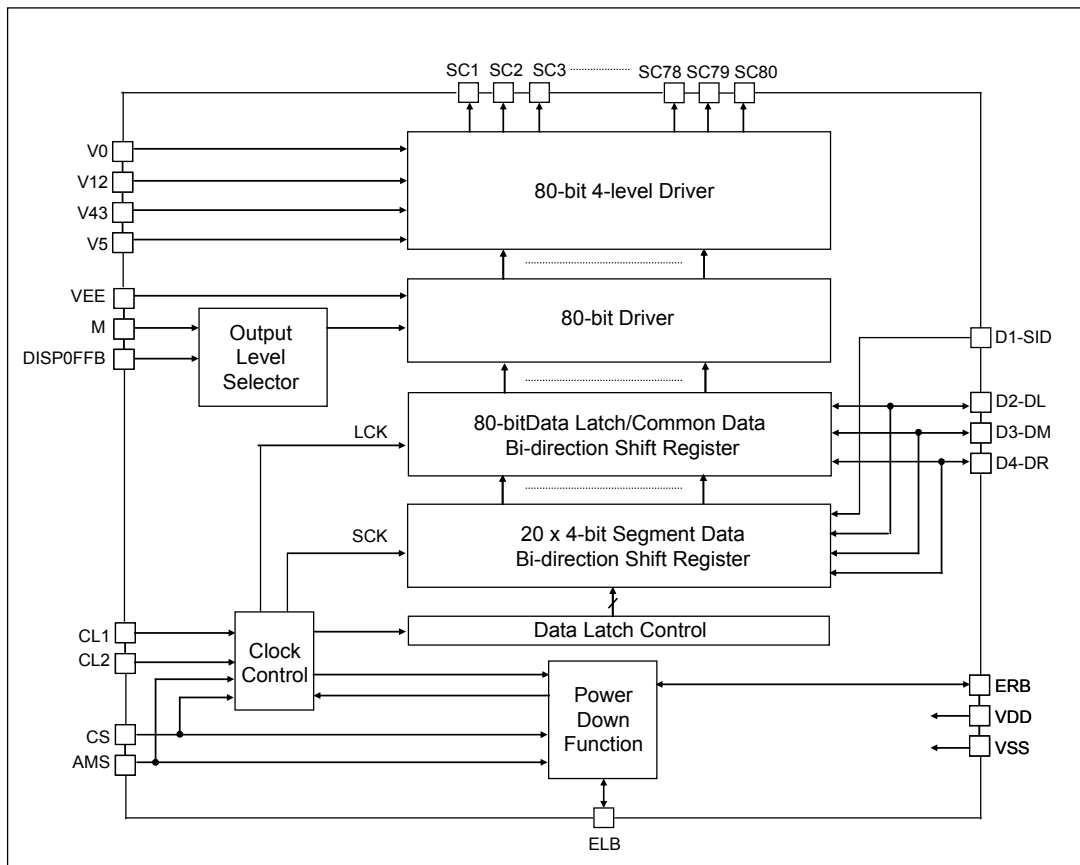


Figure 3-1 : Internal Block Diagram

3-2 Pin Assignment

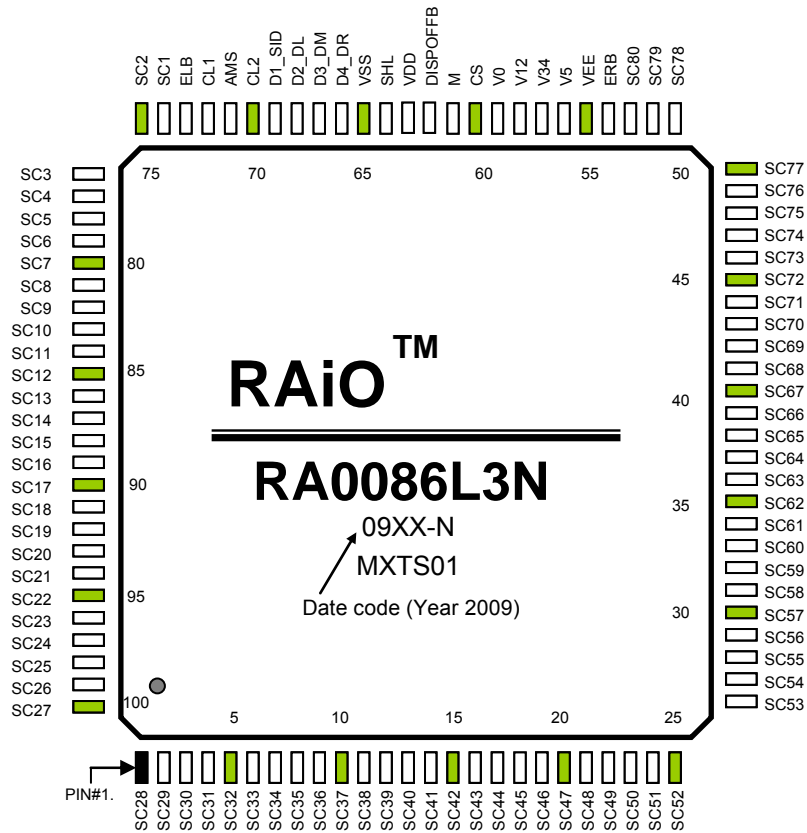


Figure 3-2 : LQFP-100 Pin Assignment

3-3 System Block Diagram

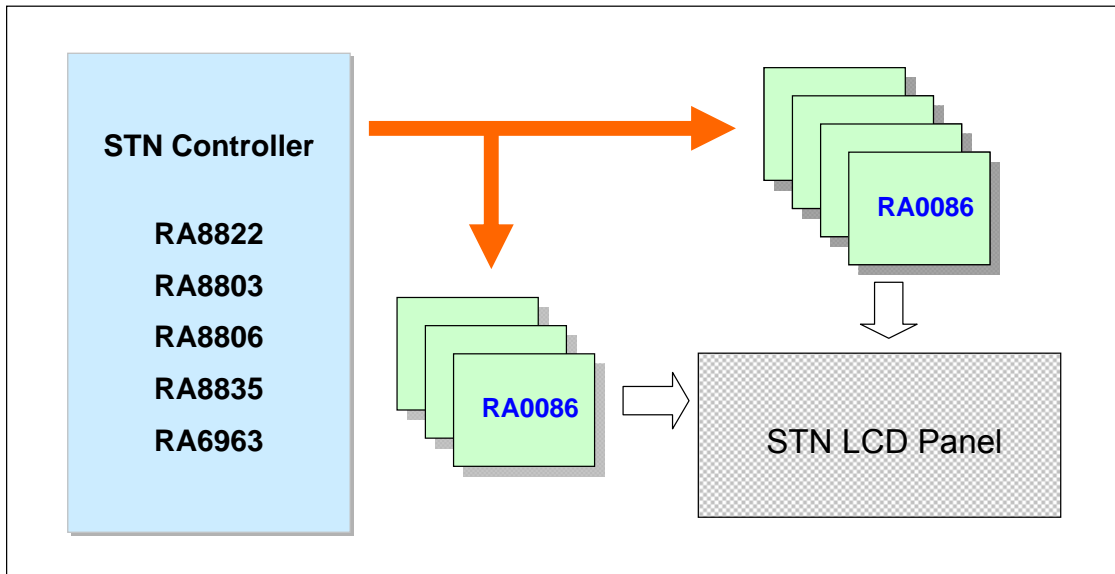


Figure 3-3 : System Block Diagram

4. Signal Description

4-1 Block Description

Name	Function	COM / SEG
Clock control	Generates latch clock (LCK), shift clock (SCK) and control clock timing according to the input of CL1, CL2 and control inputs (CS, AMS). In common driver application mode, this block generates the shift clock (LCK) for the common data Bi-directional shift register.	COM / SEG
Data latch control	Determines the direction of segment data shift, and input data of each Bi-directional shift register. In 4-bit segment data parallel transfer mode, data is shifted by a 4-bit unit. In common driver application mode, data is transferred to the common data shift register directly, which disables this block.	SEG
Power down function	Controls the clock enable state of the current driver according to the input value of enable pin (ELB or ERB). If enable input value is "Low", every clock of the current driver is enabled and the clock control block works. But if enable input is "High", current driver is disabled and the input data value has no effect on the output level. So power consumption can be lowered.	SEG
Output level selector	Controls the output voltage level according to the input control pin (M and DISPOFFB) (refer to Section 4-2).	COM / SEG
20x4-bit segment data Bi-directional shift register	Stores output data value by shifting the input values. In 1-bit serial interface mode application, all 80 shift clocks (SCK) are needed to store all the display data. But in 4-bit parallel transfer mode application, only 20 clocks are needed. In common driver application mode, this block does not work.	SEG
80-bit data latch / common data Bi-directional shift register	In segment driver application mode, the data from the 20x4-bit segment data shift register are latched for segment driver output. In single-type common driver application, 1-bit input data (from DL or DR pin) is shifted and latched by the direction according to the SHL signal input. In dual-type common application mode, 80-bit registers are divided by two blocks and controlled independently (refer to Section 4-2-3).	COM / SEG
80-bit level shifter	Voltage level shifter block for high voltage part. The inputs of this block are of logical voltage level and the outputs of this block are at high voltage level value. These values are input in to the driver.	SEG
80-bit 4-level driver	Selects the output voltage level according to M and latched data value. If the data value is "High" the driver output is at selected voltage level (V0 or V5), and in the reverse case the driver output value is at the non-selected level (V12 or V43). In segment driver application mode, non-selected output value is V2 or V3. and when in common driver application, this value becomes V1 or V4.	SEG

4-2 Pin Description

Pin	I/O	Name	Description Function	Interface																				
VDD	P	Power supply	Logical "High" input port (+5V ± 10%, +3V ± 10%)	Power																				
VSS			0V (GND)																					
VEE			Logical "Low" for high voltage part																					
V0, V12, V43, V5	I	LCD driver output voltage level	Bias supply voltage input to drive the LCD. Bias voltage divided by the resistance is usually used as a supply voltage source (refer to Section 4-2-2).	Power																				
SC1 - SC80	O	LCD driver output	Display data output pin which corresponds to the respective latch contents. One of V0, V12, V34 and V5 is selected as a display driving voltage source according to the combination of the latched data level and M signal (refer to Section 4-2-1).	LCD																				
CL2	I	Data shift clock	Clock pulse input for the bi-directional shift register. – In segment driver application mode, the data is shifted to 20 x 4-bit segment data shift. The clock pulse, which was input when the enable bit (ELB/ERB) is in not active condition, is invalid. – In common driver application mode, the data is shifted to 80-bit common data bi-directional shift register by the CL1 clock. Hence, this clock pin is not used (Open or connect this pin to VDD).	Controller																				
M	I	AC signal for LCD driver output	Alternate signal input pin for LCD driving. Normal frame inversion signal is input in to this pin.	Controller																				
CL1	I	Data latch clock	– In segment driver application mode, this signal is used for latching the shift register contents at the falling edge of this clock pulse. CL1 pulse "High" level initializes power-down function block. – In common driver application mode, CL1 is used as a shifting clock of common output data.	Controller																				
DISPOFFB	I	Display OFF control	Control input pin to fix the driver output (SC1~SC80) to V0 level, during "Low" value input. LCD becomes non-selected by V0 level output from every output of segment drivers and every output of common drivers.	Controller																				
CS	I	COM / SEG mode control	When CS = "Low", RA0086 is used as an 80-bit segment driver. When CS = "High", RA0086 is set to an 80-bit common driver	VDD/ VSS																				
AMS	I	Application mode select	According to the input value of the AMS and the CS pin, application mode of RA0086 is differs as shown below.	VDD/ VSS																				
			<table border="1"> <thead> <tr> <th>CS</th> <th>AMS</th> <th>Application mode</th> <th>COM /SEG</th> </tr> </thead> <tbody> <tr> <td>0</td> <td>0</td> <td>4-bit parallel interface mode.</td> <td>SEG</td> </tr> <tr> <td>0</td> <td>1</td> <td>1-bit serial interface mode.</td> <td>SEG</td> </tr> <tr> <td>1</td> <td>0</td> <td>Single type application mode</td> <td>COM</td> </tr> <tr> <td>1</td> <td>1</td> <td>Dual type application mode</td> <td>COM</td> </tr> </tbody> </table>	CS	AMS	Application mode	COM /SEG	0	0	4-bit parallel interface mode.	SEG	0	1	1-bit serial interface mode.	SEG	1	0	Single type application mode	COM	1	1	Dual type application mode	COM	
CS	AMS	Application mode	COM /SEG																					
0	0	4-bit parallel interface mode.	SEG																					
0	1	1-bit serial interface mode.	SEG																					
1	0	Single type application mode	COM																					
1	1	Dual type application mode	COM																					

D1_SID, D2_DL, D3_DM, D4_DR.	I/O	Display data input / Serial input data / left,right data input output	<p>- In segment driver application mode, these pins are used as 4-bit data input pin (when 4-bit parallel interface mode : AMS = "Low"), or D1_SID is used as serial data input pin and other pins are not used (connect these to VDD) (when 1-bit serial interface mode : AMS = "High").</p> <p>- In common driver application mode, the data is shifted from D2_DL(D4_DR) to D4_DR(D2_DL), when in single type interface mode (AMS = "Low"). In dual type application case, the data are shifted from D2_DL and D3_DM (D4_DR and D3_DM) to D4_DR(D2_DL). In each case the direction of the data shift and the connection of data pins are determined by SHL input (refer to Section 4-2-3 \ 4-2-4).</p>	Controller											
SHL	I	Shift direction control	<p>When SHL = "Low", data is shifted from left to right. When SHL = "High", the direction is reversed. (refer to Section 4-2-3)</p>	VDD/ VSS											
ELB,ERB	I/O	Enable data input/output	<p>- In segment driver application mode, the internal operation is enabled only when enable input (ELB or ERB) is "Low" (power down function). When several drivers are serially connected, the enable state of each driver is shifted according to the SHL input. Connect these pins as below.</p> <table border="1" style="margin-left: auto; margin-right: auto;"> <thead> <tr> <th rowspan="2">SHL</th> <th colspan="2">Segment Driver</th> </tr> <tr> <th>ELB</th> <th>ERB</th> </tr> </thead> <tbody> <tr> <td>L</td> <td>Output</td> <td>Input</td> </tr> <tr> <td>H</td> <td>Input</td> <td>Output</td> </tr> </tbody> </table> <p>- In common driver application mode, power down function is not used. Open these pins.</p>	SHL	Segment Driver		ELB	ERB	L	Output	Input	H	Input	Output	
SHL	Segment Driver														
	ELB	ERB													
L	Output	Input													
H	Input	Output													

4-2-1 Output Voltage Level Control

Table 4-1

M	Latched Data	DISPOFFB	Output level (SC1 – SC80)	
			SEG Mode	COM Mode
L	L	H	V12 (V2)	V12 (V1)
L	H	H	V0	V5
H	L	H	V43 (V3)	V43 (V4)
H	H	H	V5	V0
X	X	L	V0	V0

4-2-2 LCD Driving Voltage Application Circuit

(1) Segment driver application (CS = "Low")

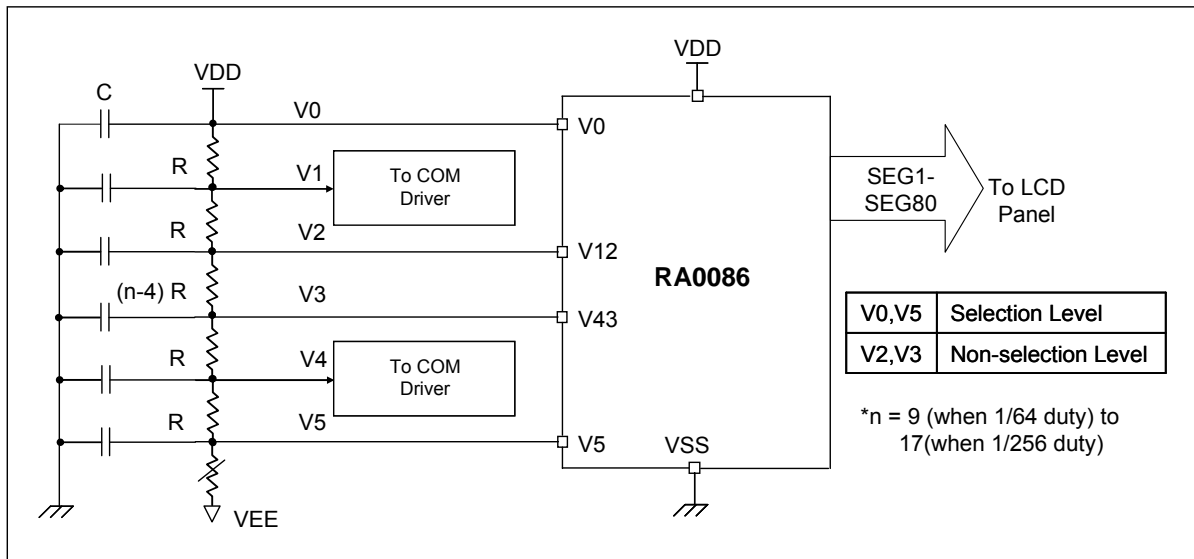


Figure 4-1

(2) Common driver application (CS = "High")

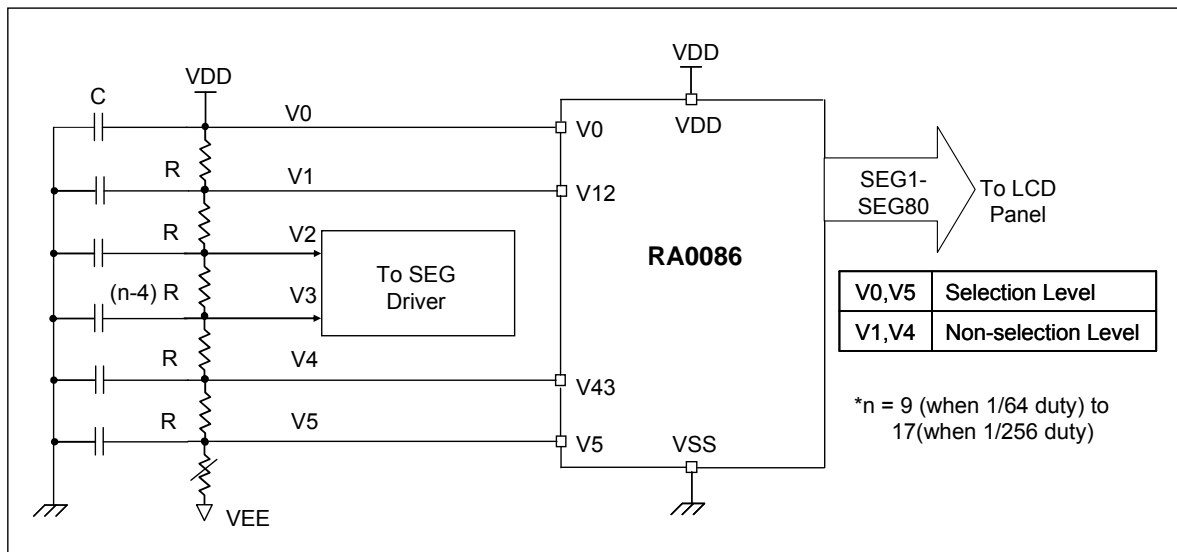


Figure 4-2

4-2-3 Data Shift Direction according to Control Signals

(1) When CS = "Low" (Segment driver application)

AMS	SHL	Application Mode	Data Direction	Input Pin
L	L	4-Bit Parallel Data Transfer Mode (SEG)		D1_SID, D2_DL, D3_DM, D4_DR
	H			
H	L	1-Bit Serial Data Transfer Mode (SEG)		D1_SID
	H			

(2) When CS = "High" (Common driver application)

AMS	SHL	Application Mode	Data Direction	Input Pin
L	L	Single-type Application Mode (COM)	<p>Shift Direction →</p>	D2_DL
	H		<p>Shift Direction ←</p>	D4_DR
H	L	Dual-type Application Mode (COM)	<p>Shift Direction →</p>	D2_DL D3_DM
	H		<p>Shift Direction ←</p>	D4_DR D3_DM

4-2-4 Usage of Data Pins

Table 4-2

COM /SEG (CS pin)	Application Mode (AMS pin)	SHL	Data Interface Pin			
			D1_SID	D2_DL	D3_DM	D4_DR
SEG (CS =Low)	4-bit parallel interface mode (AMS = Low)	X	D1 (input)	D2 (input2)	D3 (input3)	D4 (input4)
	1-bit serial interface mode (AMS = High)	X	SID (input)	Connect to VDD		
COM (CS =High)	single-type application mode (AMS = Low)	L	Open	DL (input)	Open	DR (output)
		H		DL (output)		DR (input)
	dual-type application mode (AMS =High)	L	Open	DL (input1)	DM (input2)	DR (output2)
		H		DL (output2)	DM (input2)	DR (input1)

5. Electrical Characteristics

5-1 Maximum Absolute Limit

Table 5-1

Characteristic	Symbol	Value	Unit
Power supply voltage	VDD	-0.3 - +7.0	V
Driver supply voltage	VLCD	0 - +32	
Input voltage	VIN	-0.3 - V _{DD} +0.3	
Operation temperature	TOPR	-30 - +90	°C
Storage temperature	TSTG	-55 - +150	

NOTE : Voltage greater than above may damage to the circuit.

5-2 DC Characteristics

(1) Segment Driver Application

(V_{SS} = 0V, Ta = - 30 – +85°C)

Characteristic	Symbol	Test Condition	Min	Typ	Max	Unit	
Operating voltage1	V _{DD}		2.7		5.5	V	
	V _{LCD}	V _{IN} = V _{DD} - V _{EE}	6	-	30		
Input voltage (1)	V _{IH}	-	0.8V _{DD}	-	V _{DD}	V	
	V _{IL}	-	0	-	0.2V _{DD}		
Output voltage (2)	V _{OH}	I _{OH} = -0.4mA	V _{DD} -0.4	-	-	V	
	V _{OL}	I _{OL} = 0.4mA	-	-	0.4		
Input leakage current 1 (1)	I _{IL1}	V _{IN} = V _{DD} to V _{SS}	-10	-	10	μA	
Input leakage current 2 (3)	I _{IL2}	V _{IN} = V _{DD} to V _{EE}	-25	-	25		
On resistance(4)	R _{ON}	I _{ON} = 100μA	-	2	4	kΩ	
Supply current (5)	I _{STBY}	f _{CL1} = 32kHz M = V _{SS}	V _{SS} pin	-	-	100	μA
	I _{DD}	f _{CL1} = 32kHz f _M = 80Hz	V _{DD} = 5V	-	-	5	mA
			V _{DD} = 3V	-	-	2	
I _{EE}		V _{DD} = 5V	-	-	500	μA	

NOTES:

- (1) Applied to CL1, CL2, ELB, ERB, D1_SID - D4_DR, SHL, DISPOFFB, M, CS, AMS pin
- (2) ELB, ERB pin
- (3) V0, V12, V43, V5 pin
- (4) V_{LCD} = V_{DD} - V_{EE}, V0 = V_{DD} = 5V, V5 = V_{EE} = -23 V
V12 = V_{DD}-2/n(V_{LCD}), V43 = V_{EE}+2/n(V_{LCD}), n = 17 (1/256 duty, 1/17 bias)
- (5) V0 = V_{DD}, V12 = 1.71V(V_{DD} = 5V) or -0.06V (V_{DD} = 3V),
V43 = -19.71 V(V_{DD} = 5V) or -19.94V (V_{DD} = 3V),
V5 = V_{EE} = -23V, no-load condition (1/256 duty, 1/17 bias)
4-bit parallel interface mode
I_{STBY} : V_{DD} = 5V, f_{CL2} = 5.12MHz, SHL = V_{SS},
DISPOFFB = V_{DD},
M = V_{SS}, display data pattern = 0000
I_{DD} : V_{DD} = 3V, f_{CL2} = 4MHz, display data pattern = 0101
V_{DD} = 5 V, f_{CL2} = 5.12MHz, display data pattern = 0101
I_{EE} : V_{DD} = 5V, f_{CL2} = 5.12MHz, display data pattern = 0101, V_{EE} pin

(2) Common Driver Application

(V_{SS} = 0V, T_a = - 30 – +85°C)

Characteristic	Symbol	Test Condition	Min	Typ	Max	Unit	
Operating voltage	V _{DD}		2.7	-	5.5	V	
	V _{LCD}	V _{IN} = V _{DD} - V _{EE}	6	-	30		
Input voltage (1)	V _{IH}	-	0.8V _{DD}	-	V _{DD}	V	
	V _{IL}	-	0	-	0.2V _{DD}		
Output voltage (3)	V _{OH}	I _{OH} = -0.4mA	V _{DD} -0.4	-	-	V	
	V _{OL}	I _{OL} = 0.4mA	-	-	0.4		
Input leakage current 1 (1)	I _{IL1}	V _{IN} = V _{DD} to V _{SS}	-10	-	10	μA	
Input leakage current 2 (2)	I _{IL2}	V _{IN} = 0V, V _{DD} = 5V (PULL UP)	-50	-125	-250		
Input leakage current 3 (4)	I _{IL3}	V _{IN} = V _{DD} to V _{EE}	-25	-	25		
On resistance(5)	R _{ON}	I _{ON} = 100μA	-	2	4	kΩ	
Supply current (6)	I _{STBY}	f _{CL1} = 32kHz M = V _{SS}	V _{SS} pin	-	-	100	μA
	I _{DD}	f _{CL1} = 32kHz f _M = 80Hz	V _{DD} = 5V	-	-	200	
			V _{DD} = 3V	-	-	120	
	I _{EE}		V _{DD} = 5V	-	-	150	

NOTES:

- (1) Applied to CL1, D2_DL (SHL = LOW), D4_DR (SHL = HIGH), SHL, DISPOFFB, M, CS, AMS pin
- (2) Pull-up input pins : CL2, D1_SID, D3_DM (AMS = HIGH), ELB (SHL = LOW), ERB (SHL = HIGH)
- (3) D2_DL (SHL = HIGH) , D4_DR (SHL = LOW) pin
- (4) V0, V12, V43, V5 pin
- (5) VLCD = VDD-VEE, V0 = VDD = 5V, V5 = VEE = -23V
V12 = VDD-1/n(VLCD), V43 = VEE+1/n(VLCD), n = 17(1/256 duty, 1/17 bias)
- (6) V0 = VDD, V12 = 3.35V (VDD = 5V) or 1.47V (VDD = 3V),
V43 = -21.35V (VDD = 5 V) or -21.47V (VDD = 3 V),
V5 = VEE = -23 V, no-load condition (1/256 duty, 1/17 bias)
single-type mode operation : AMS = VSS, SHL = VSS, DISPOFFB = VDD
D1_SID = D3_DM = VDD, D4_DR = OPEN, ELB = ERB = OPEN,
I_{STBY} : VDD = 5V, M = VSS, D2_DL = VSS
I_{DD} : f_M = 80Hz, D2_DL = VDD
VDD = 3 V, display data pattern = 10000000..., 01000000..., 00100000..., 00010000..., ..
VDD = 5 V, display data pattern = 10000000..., 01000000..., 00100000..., 00010000..., ..
I_{EE} : f_M = 80Hz, D2_DL = VDD
VDD = 5V, current through VEE Pin, display data pattern = 10000000..., 01000000..., 00100000..., 00010000...

5-3 AC Characteristics

(1) Segment Driver Application

(V_{SS} = 0V, Ta = - 30 – +85°C)

Characteristic	Symbol	Test Condition	(1) V _{DD} = 5V ±10%			(2) V _{DD} = 3V ±10%			Unit
			Min	Typ	Max	Min	Typ	Max	
Clock cycle time	t _{cy}	Duty = 50%	125	-	-	250	-	-	ns
Clock pulse width	t _{wck}	-	45	-	-	95	-	-	
Clock rise / fall time	t _{r/tf}	-	-	-	-	-	-	30	
Data set-up time	t _{ds}	-	30	-	-	65	-	-	
Data hold time	t _{dh}	-	30	-	-	65	-	-	
Clock set-up time	t _{cs}	-	80	-	-	120	-	-	
Clock hold time	t _{ch}	-	80	-	-	120	-	-	
Propagation delay time	t _{PHL}	ELB Output	-	-	60	-	-	125	
		ERB Output	-	-	60	-	-	125	
ELB,ERB set-up time	t _{psu}	ELB Input	30	-	-	65	-	-	
		ERB Input	30	-	-	65	-	-	
DISPOFFB low pulse width	t _{wDL}	-	1.2	-	-	1.2	-	-	μs
DISPOFFB clear time	t _{cd}	-	100	-	-	100	-	-	ns
M – OUT propagation delay time	t _{PD1}	C _L = 15pF	-	-	1.0	-	-	1.2	μs
CL1 – OUT propagation delay time	t _{PD2}		-	-	1.0	-	-	1.2	
DISPOFFB – OUT propagation delay time	t _{PD3}		-	-	1.0	-	-	-	

(2) Common Driver Application

(V_{SS} = 0V, T_a = - 30 – +85°C)

Characteristic	Symbol	Test Condition	(1) V _{DD} = 5V ±10%			(2) V _{DD} = 3V ±10%			Unit
			Min	Typ	Max	Min	Typ	Max	
Clock cycle time	t _{CY}	Duty = 50%	250	-	-	500	-	-	ns
Clock pulse width	t _{WCK}	-	45	-	-	95	-	-	
Clock rise / fall time	t _R /t _F	-	-	-	50	-	-	50	
Data set-up time	t _{DS}	-	30	-	-	65	-	-	
Data hold time	t _{DH}	-	30	-	-	65	-	-	
DISPOFFB low pulse width	t _{WDL}	-	1.2	-	-	1.2	-	-	μs
DISPOFFB clear time	t _{CD}	-	100	-	-	100	-	-	ns
Output delay time	t _{DL}	C _L = 15pF			200			250	μs
M – OUT propagation delay time	t _{PD1}		-	-	1.0	-	-	1.2	
CL1 – OUT propagation delay time	t _{PD2}		-	-	1.0	-	-	1.2	
DISPOFFB – OUT propagation delay time	t _{PD3}		-	-	1.0	-	-	1.2	

(3) Segment Driver Application Timing

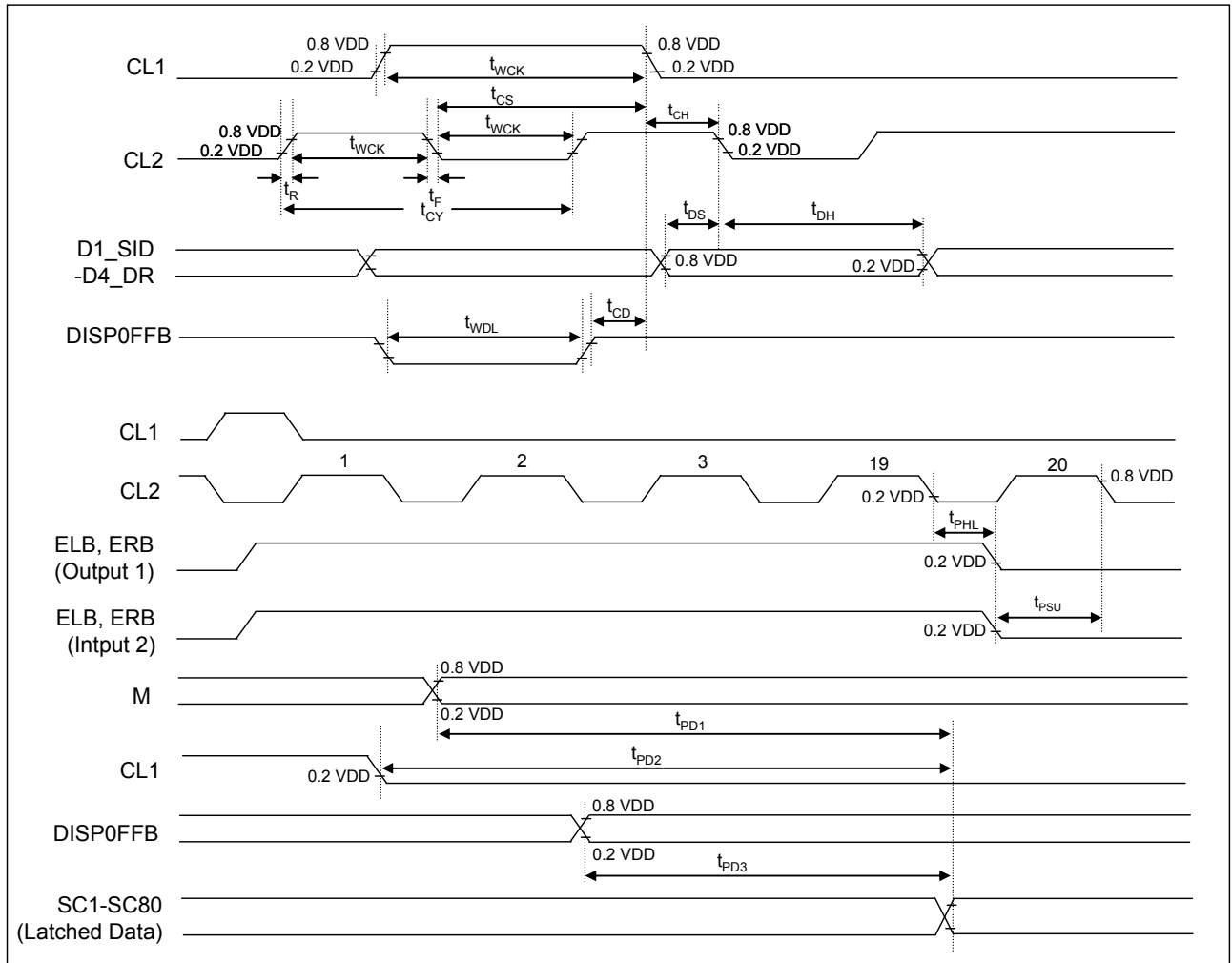


Figure 5-1

(4) Common Driver Application Timing

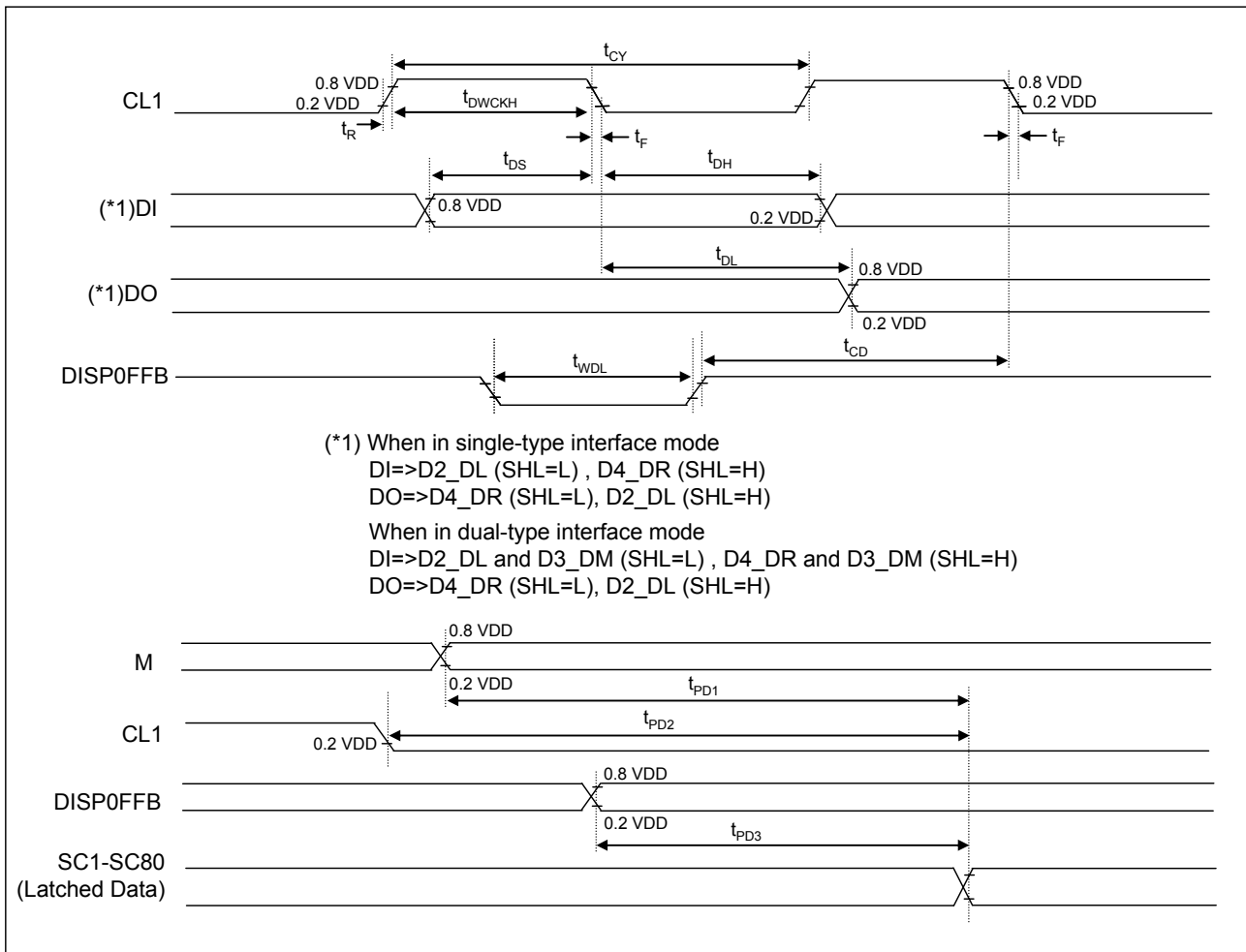


Figure 5-2

5-4 Power Down Function

In the case of cascade connection of segment mode drivers, RA0086 has a "power down function" in order to reduce the power consumption.

SHL	Enable Input	Enable Output	Current Driver Status	The Other Drivers Status
L	ERB	ELB	While ERB =Low, current driver is enabled.	Disabled
H	ELB	ERB	While ELB =Low, current driver is enabled.	Disabled

* In the case of common driver application, power down function does not work.

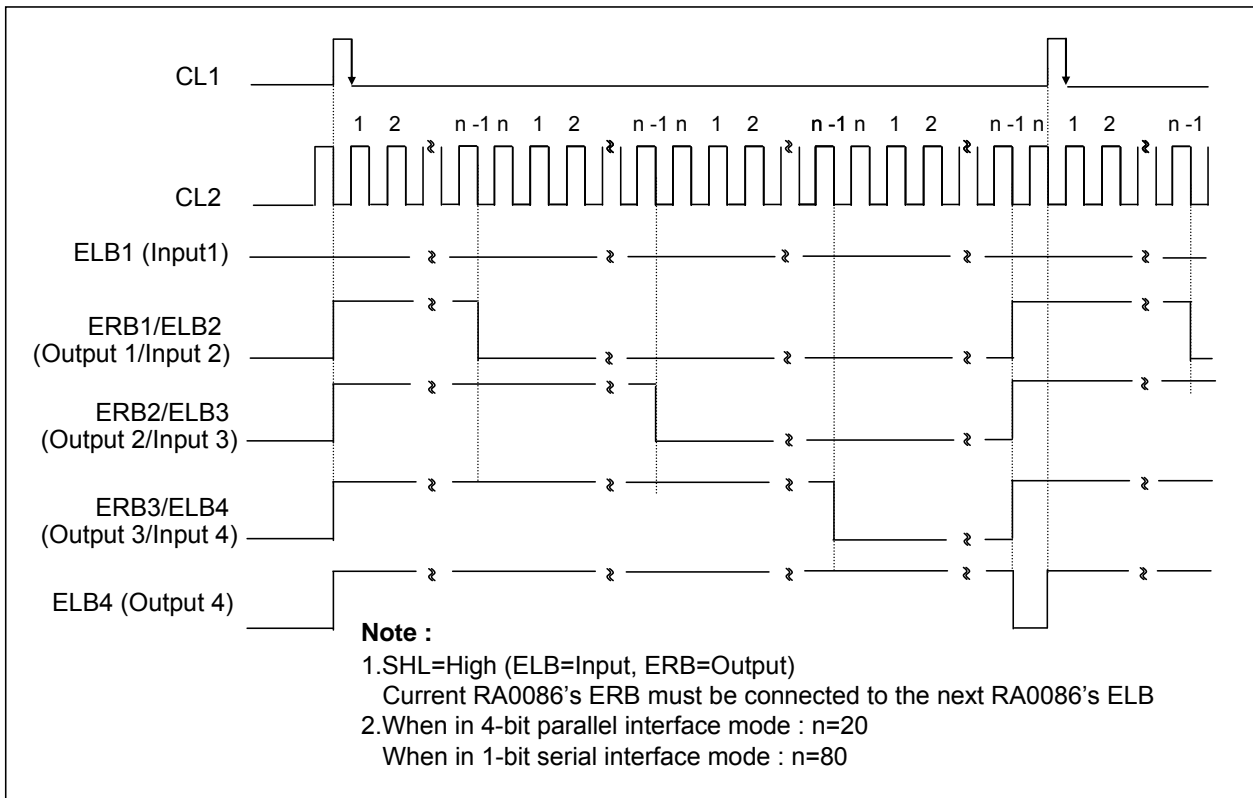


Figure 5-3

5-5 Operation Timing Diagram

5-5-1 4-bit Parallel Mode Interface Segment Driver

◆ When SHL = Low

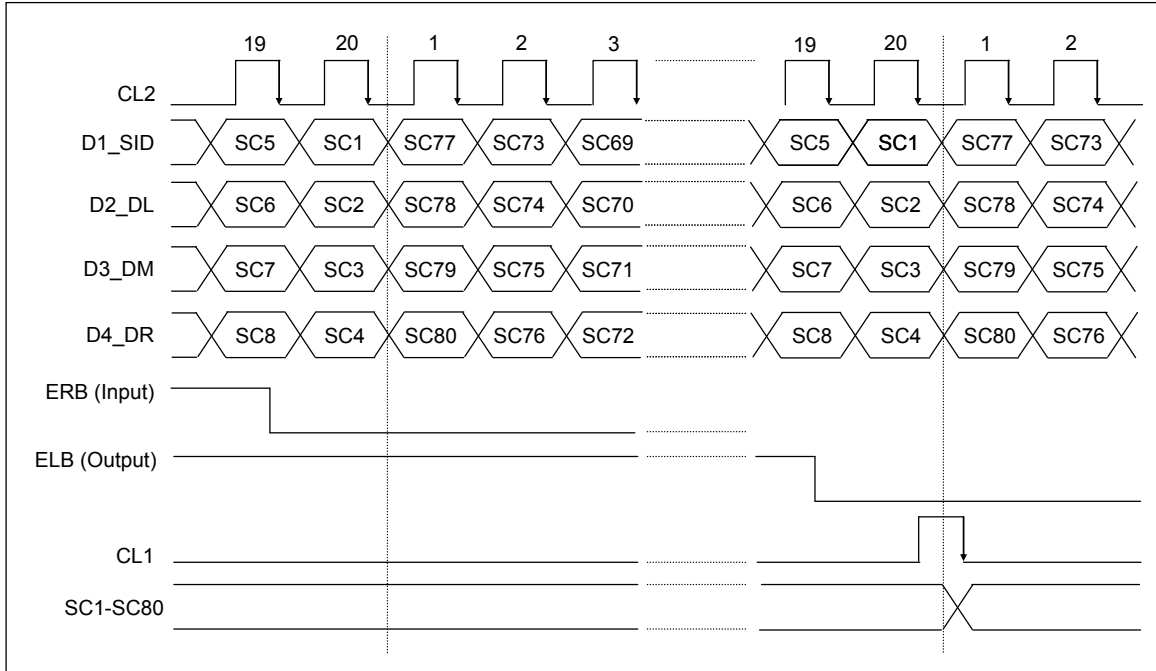


Figure 5-4

◆ When SHL = High

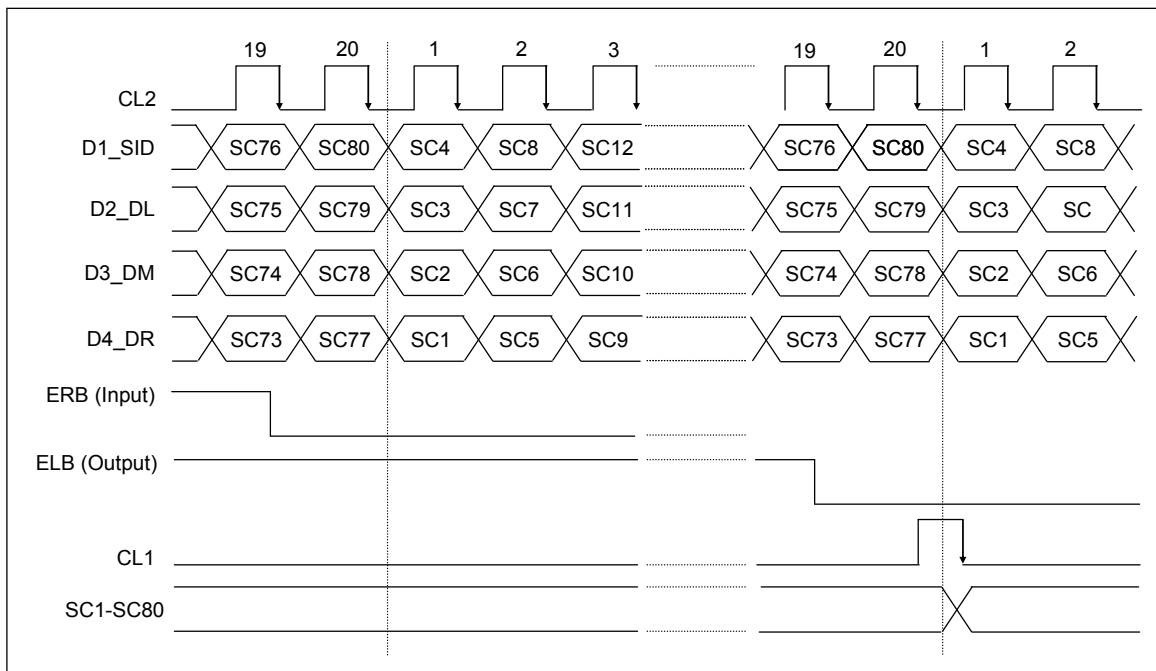


Figure 5-5

5-5-2 1-bit Serial Mode Interface Segment Driver

◆ When SHL = Low

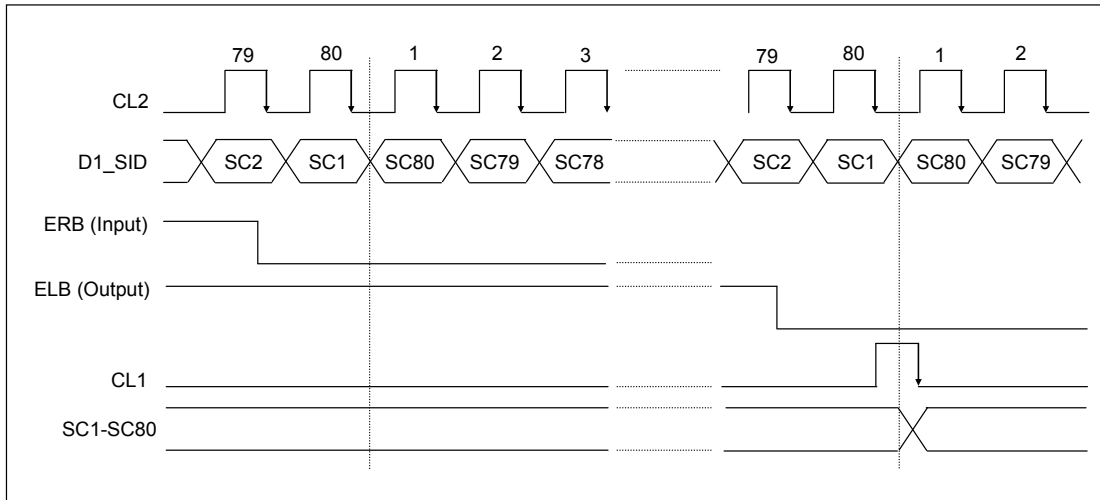


Figure 5-6

◆ When SHL = High

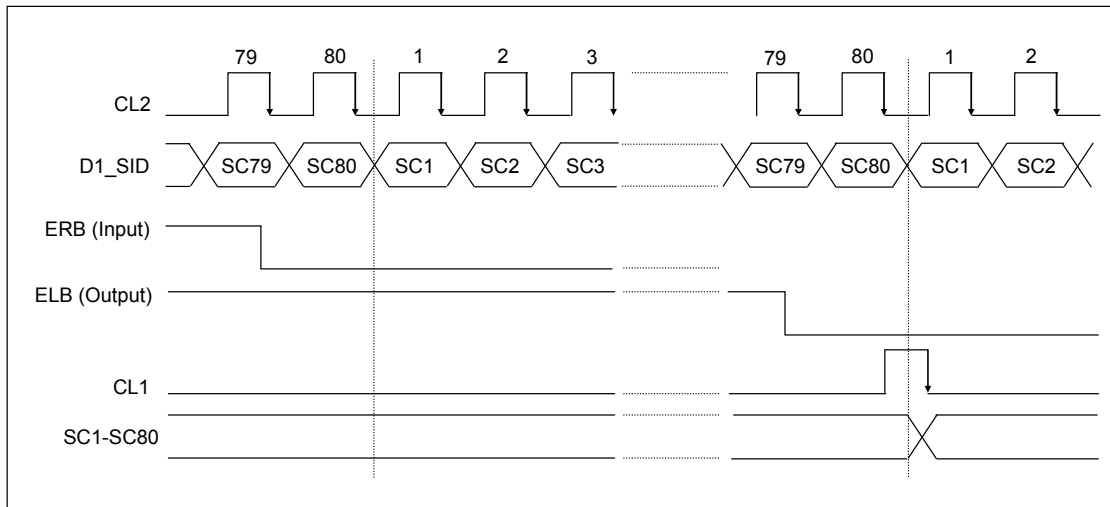


Figure 5-7

5-5-3 Single-type Interface Mode Common Driver

◆ When SHL = Low

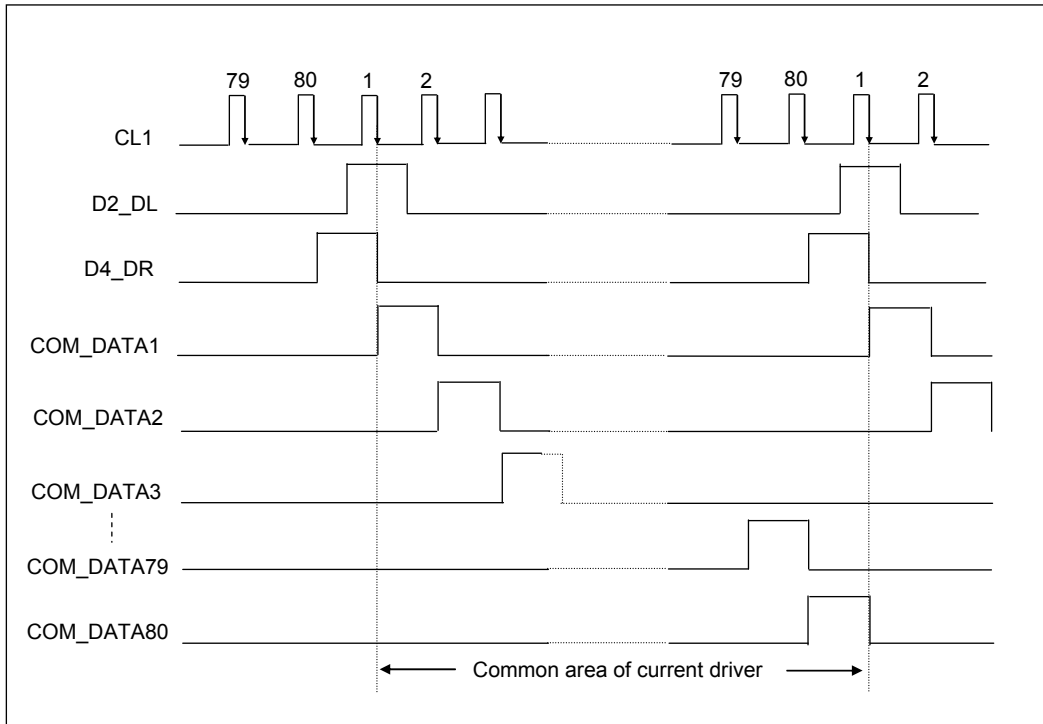


Figure 5-8

◆ When SHL = High

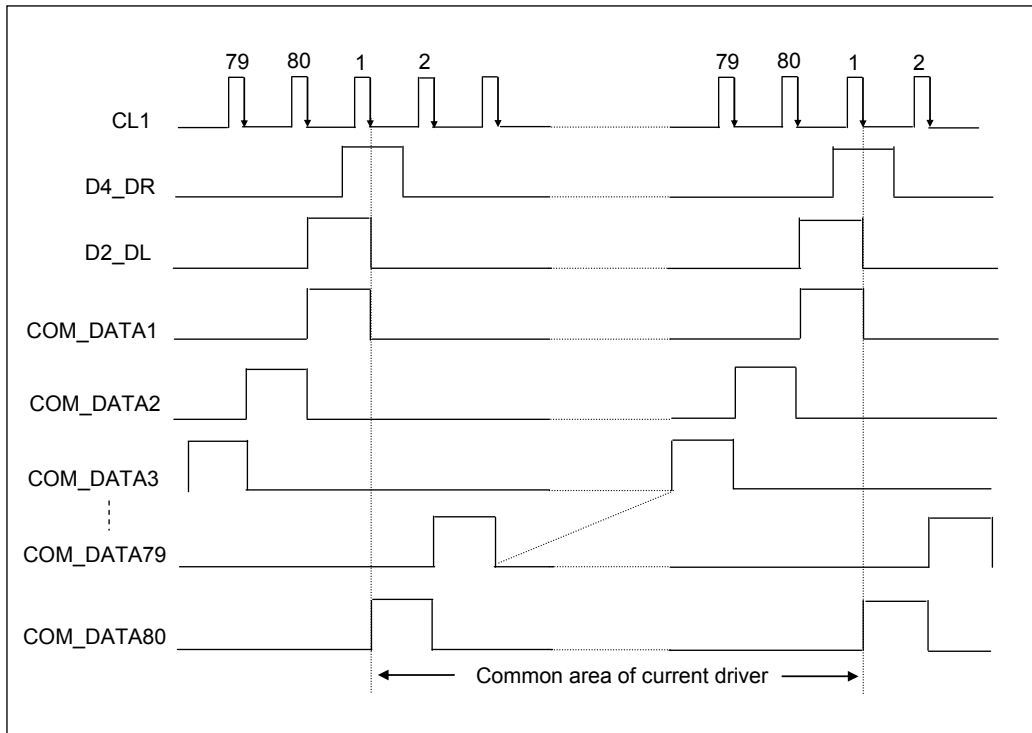


Figure 5-9

5-5-4 Dual-type Interface Mode Common Driver

◆ When SHL = Low

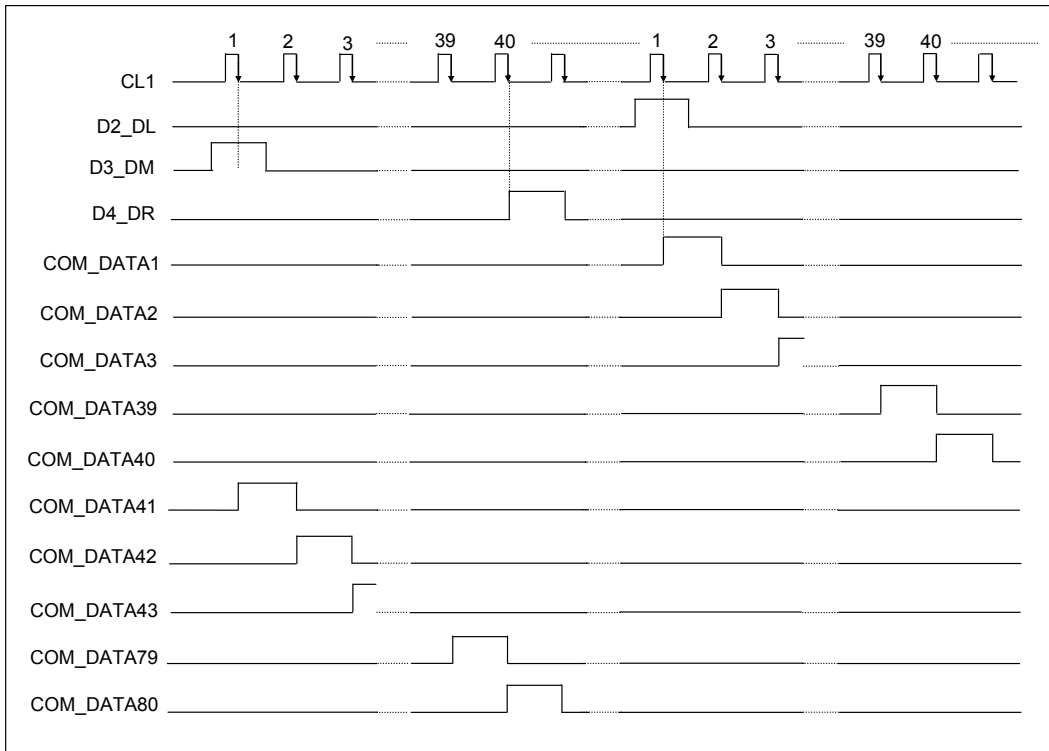


Figure 5-10

◆ When SHL = High

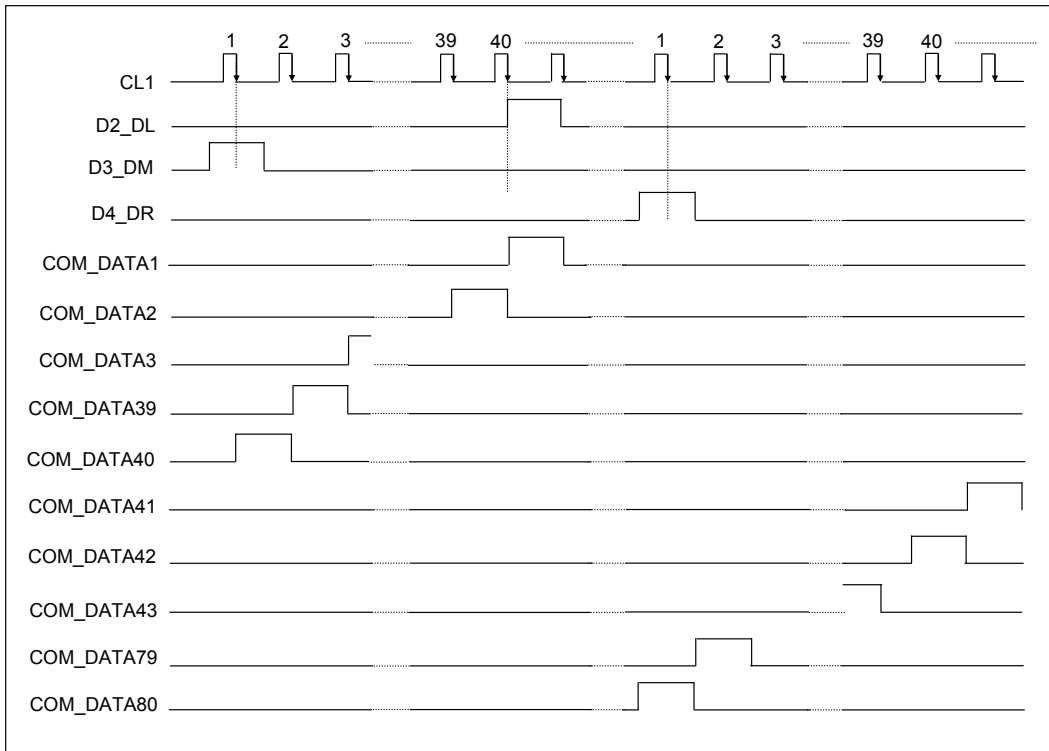


Figure 5-11

5-5-5 Common / Segment Driver Timing (1/200 Duty)

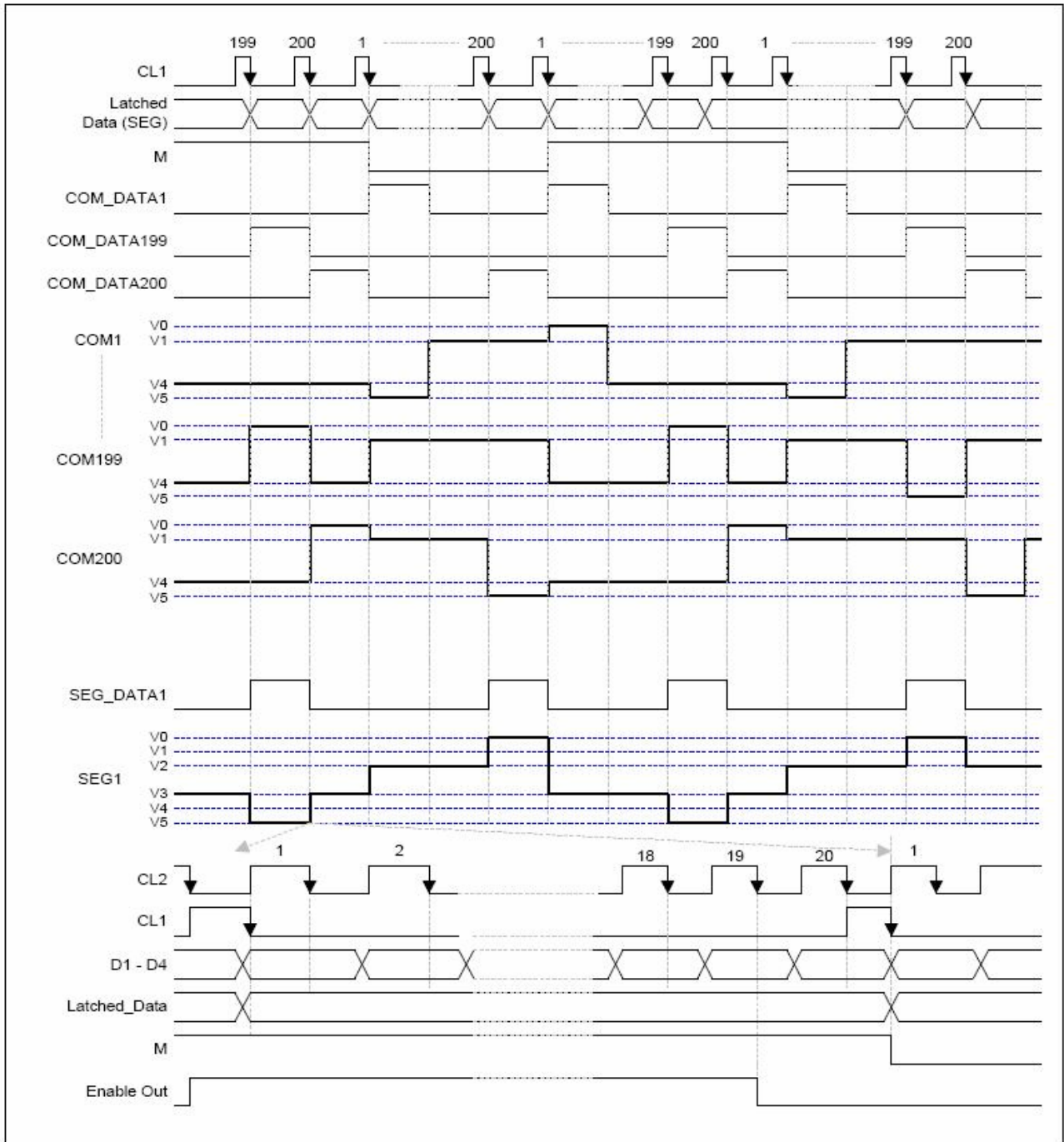


Figure 5-12

6. Application Information

6-1 4-bit Parallel Interface Mode (80-Ch. Segment Driver)

(1) Lower View (SHL = L, AMS = L)

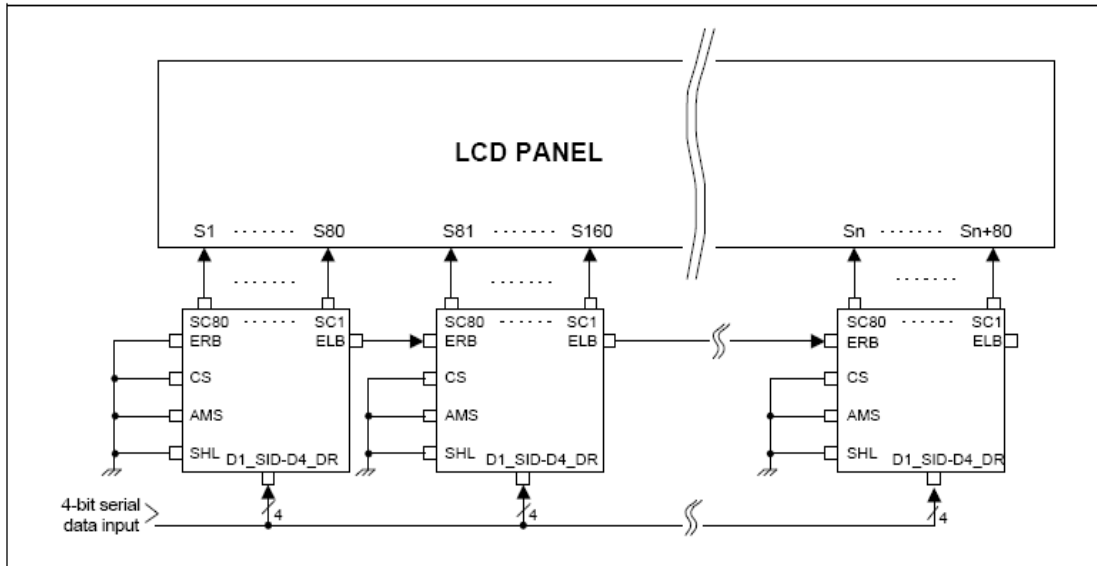


Figure 6-1

(2) Upper View (SHL = H, AMS = L)

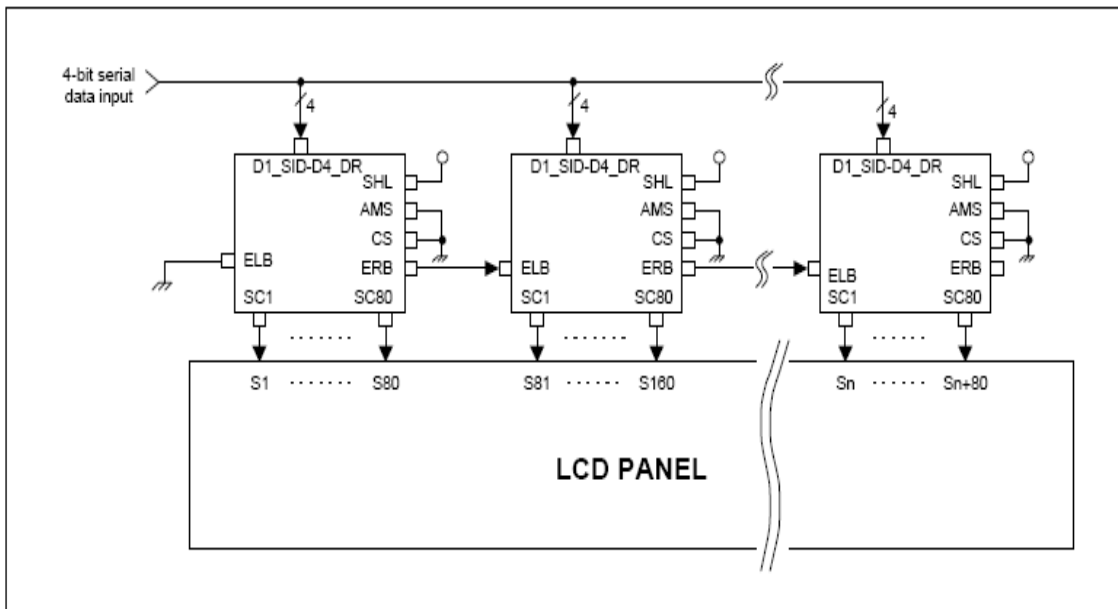


Figure 6-2

6-2 1-bit Serial Interface Mode (80-Ch. Segment Driver)

(1) Lower View (SHL = L, AMS = L)

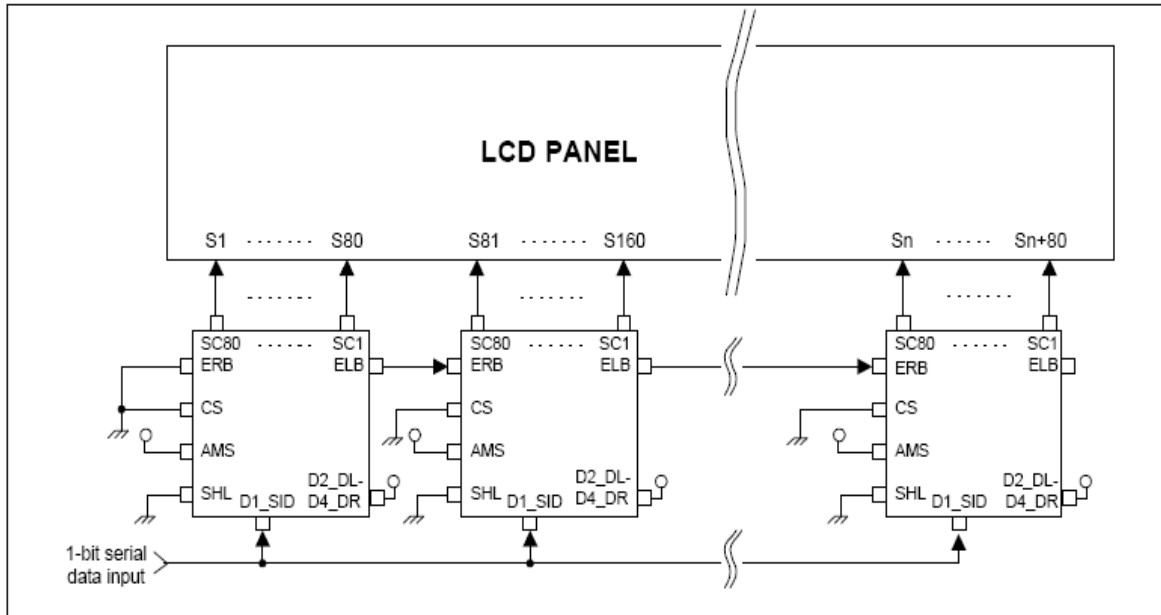


Figure 6-3

(2) Upper View (SHL = H, AMS = H)

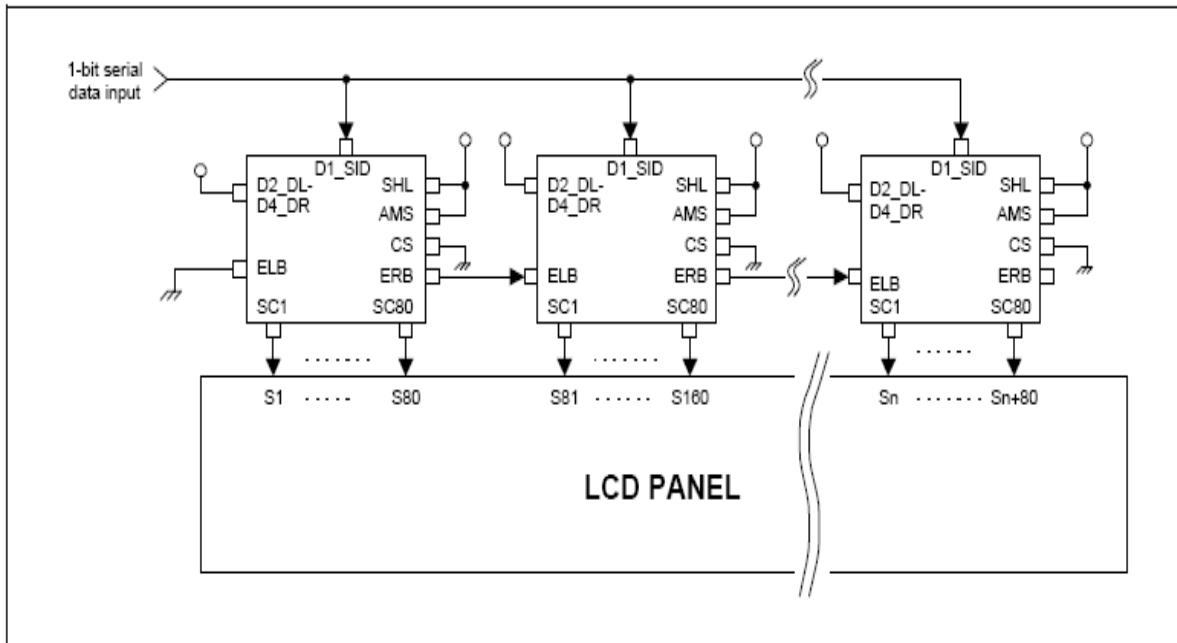


Figure 6-4

6-3 Single-type Interface Mode (80-Ch. Common Driver)

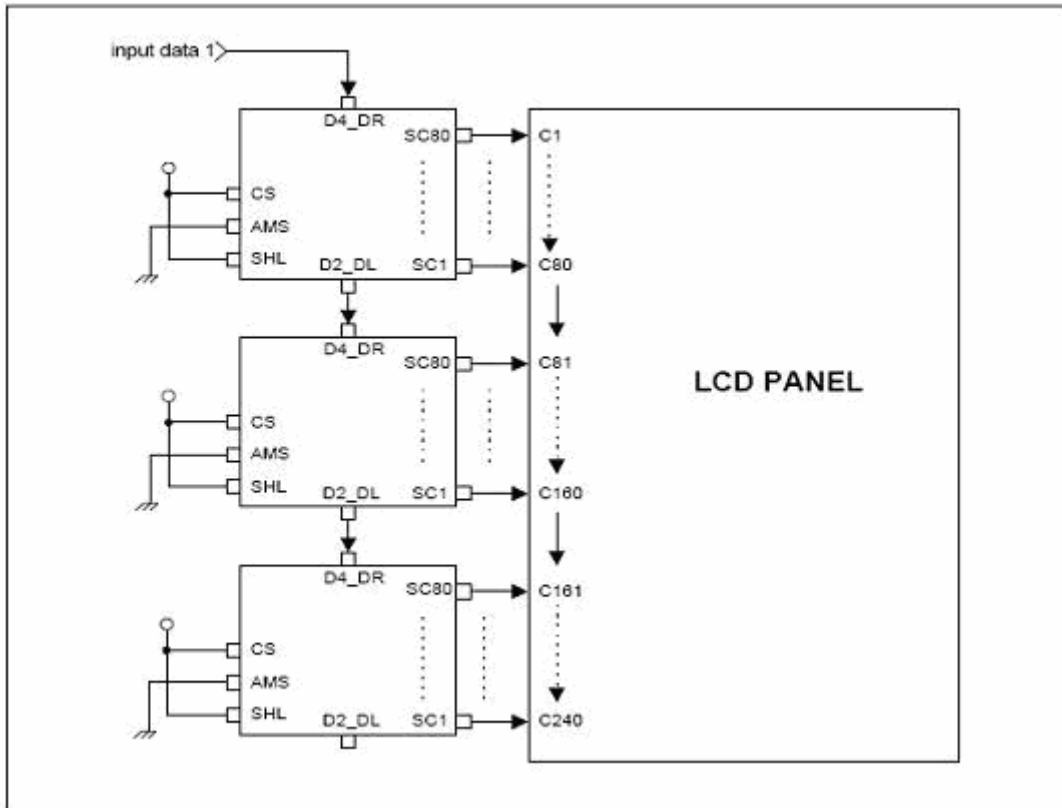


Figure 6-5

6-4 Dual-type Interface Mode (40-Ch. + 40-Ch. Common Driver)

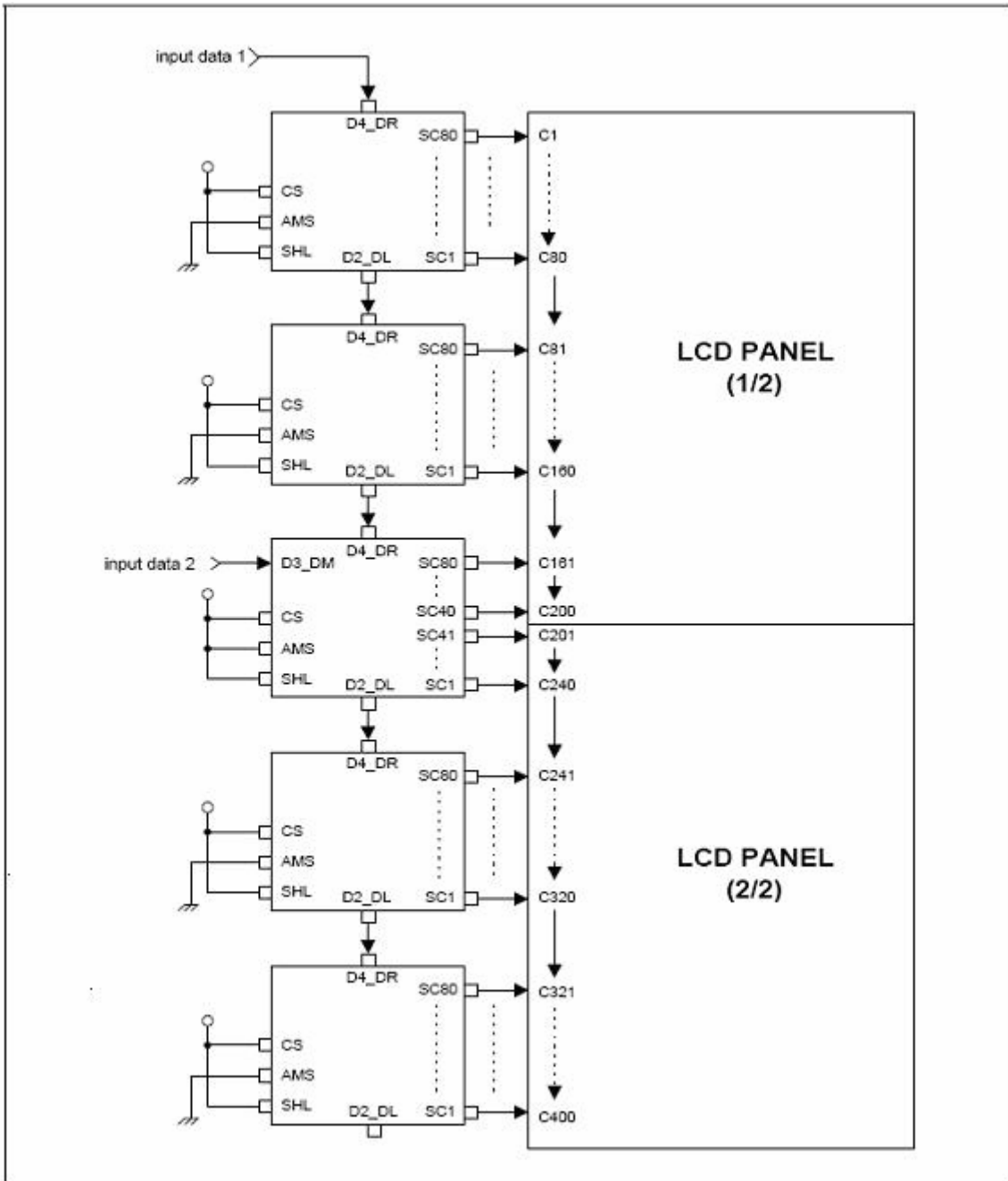


Figure 6-6

NOTE: Using this application mode (dual-type common mode), the duty ratio can be reduced to half. In case, 1/200 duty can be used to drive the 400 common LCD panel.

6-5 Application Circuit Example

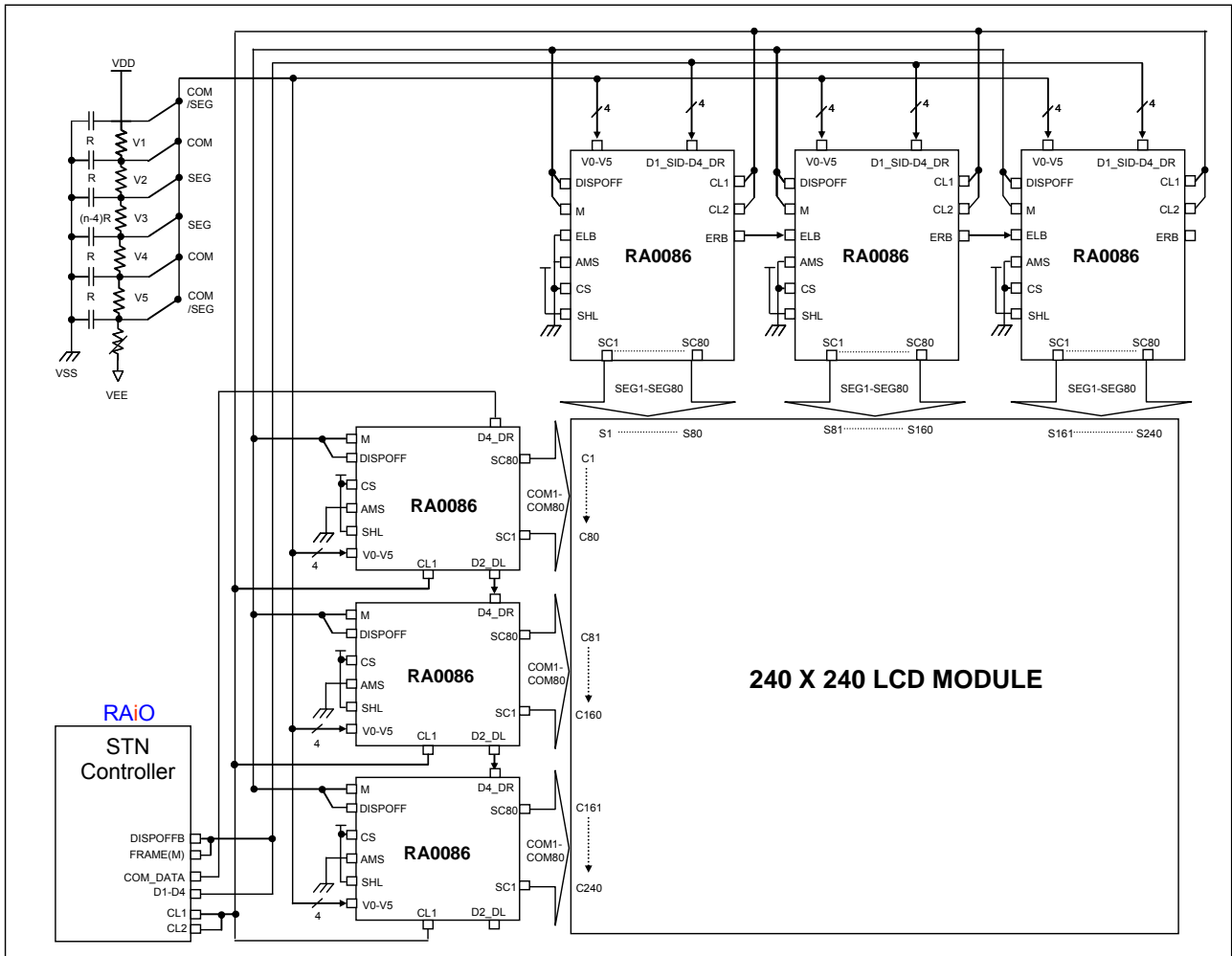


Figure 6-7 : Application Circuit

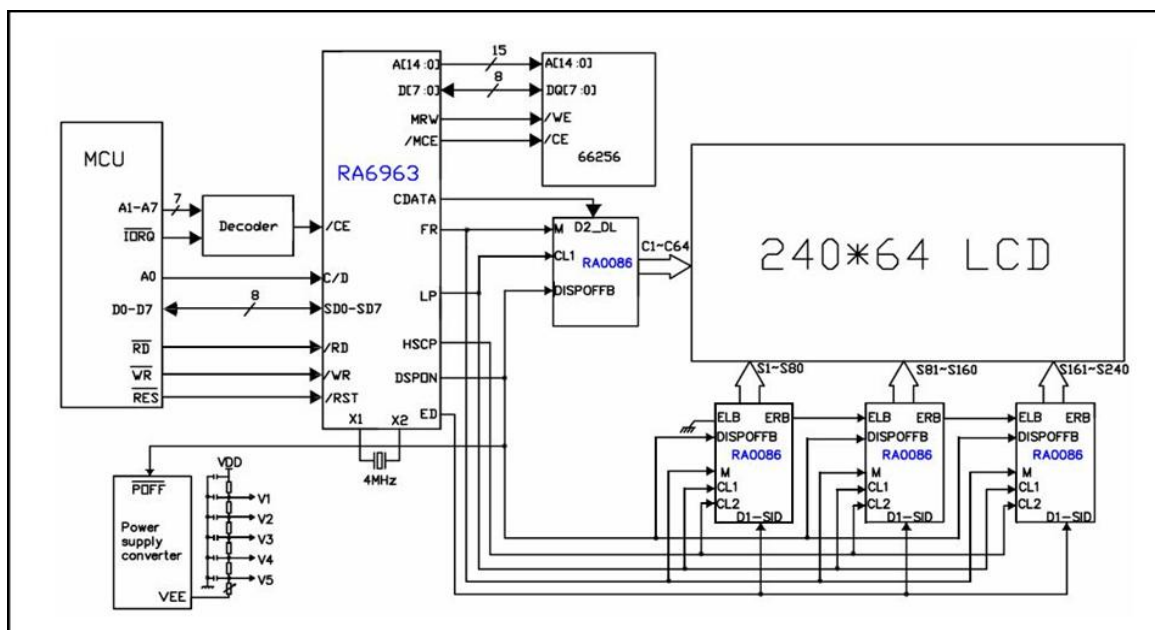


Figure 6-8 : RA6963 with RA0086 Application Circuit

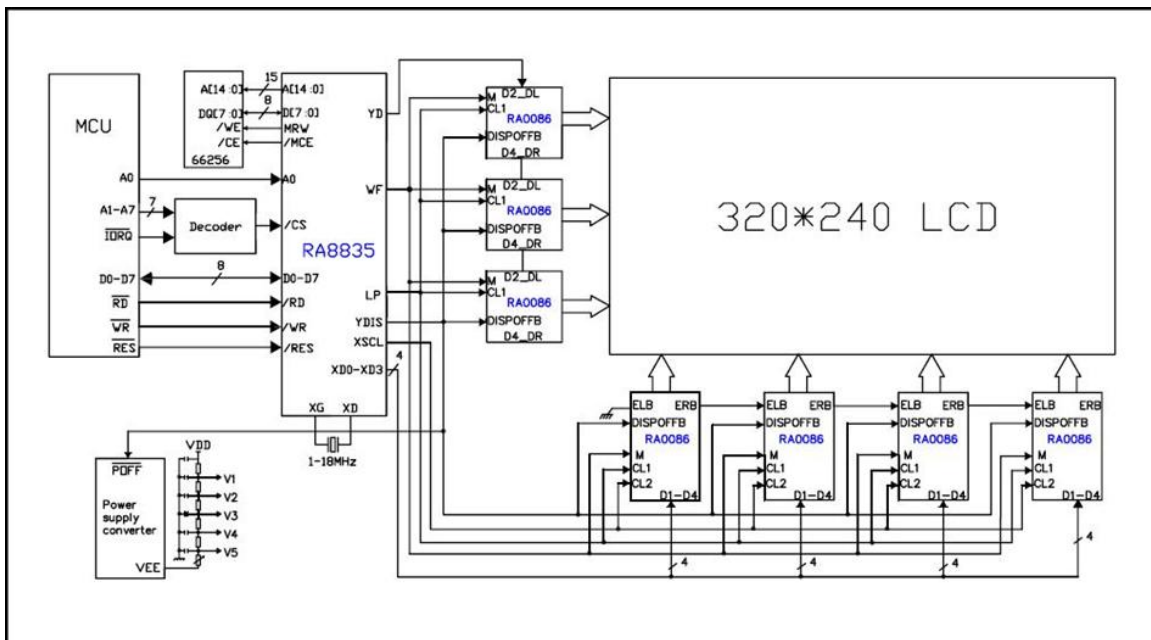


Figure 6-9 : RA8835 with RA0086 Application Circuit

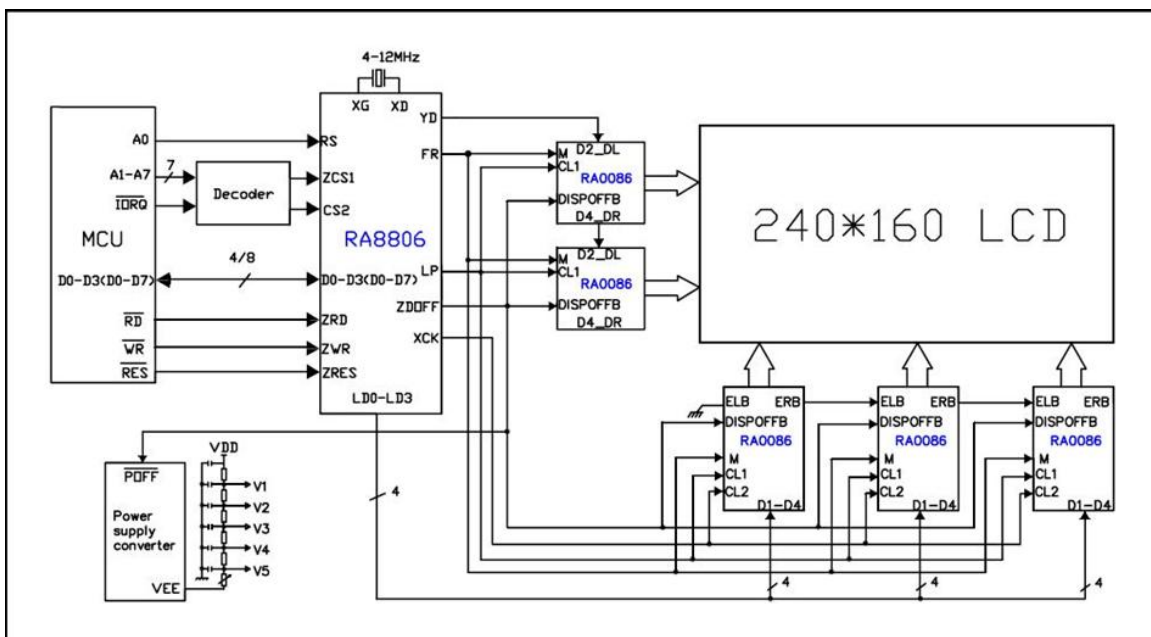


Figure 6-10 : RA8806 with RA0086 Application Circuit

7. Package

7-1 Package Information

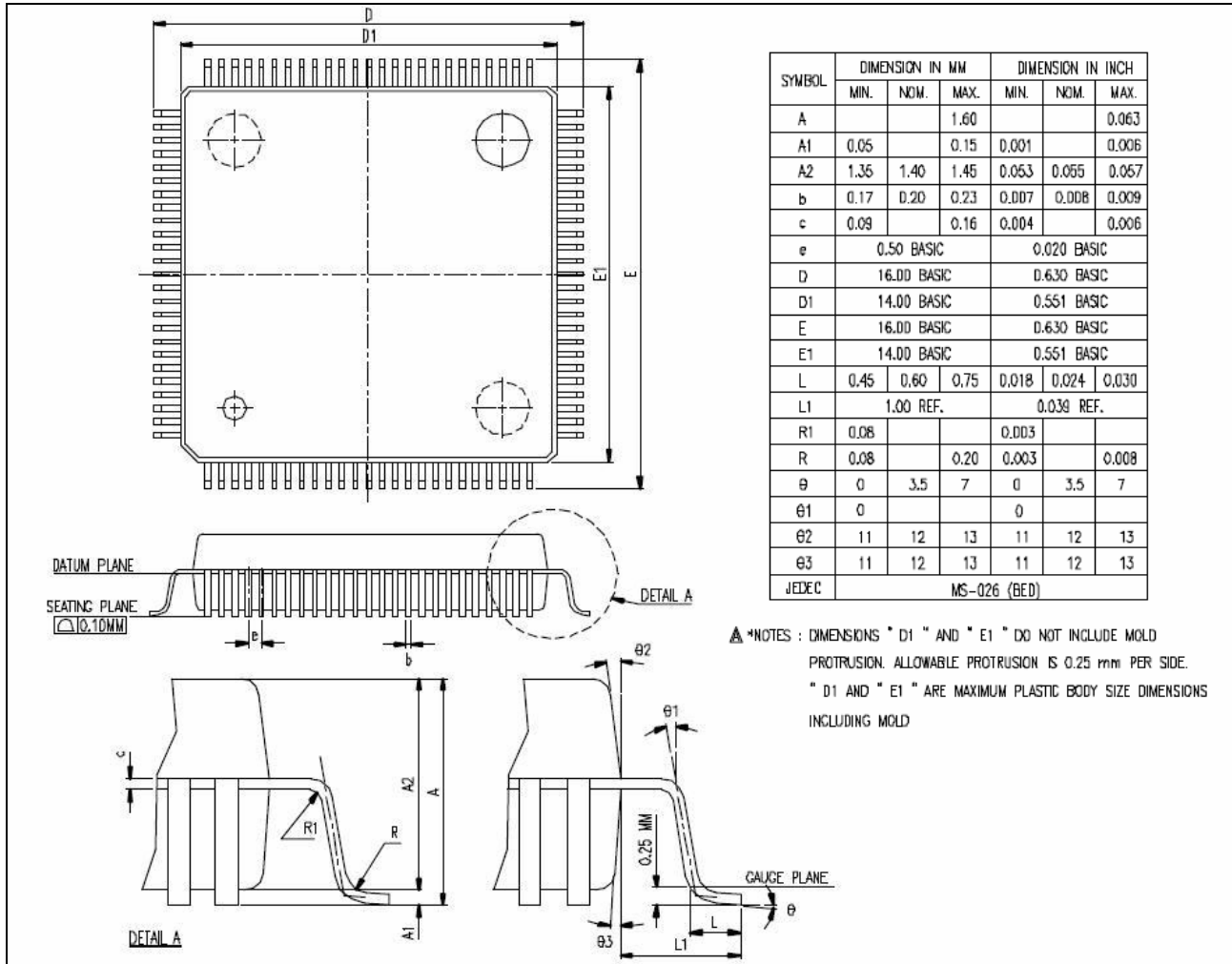


Figure 7-1

7-2 Die Form

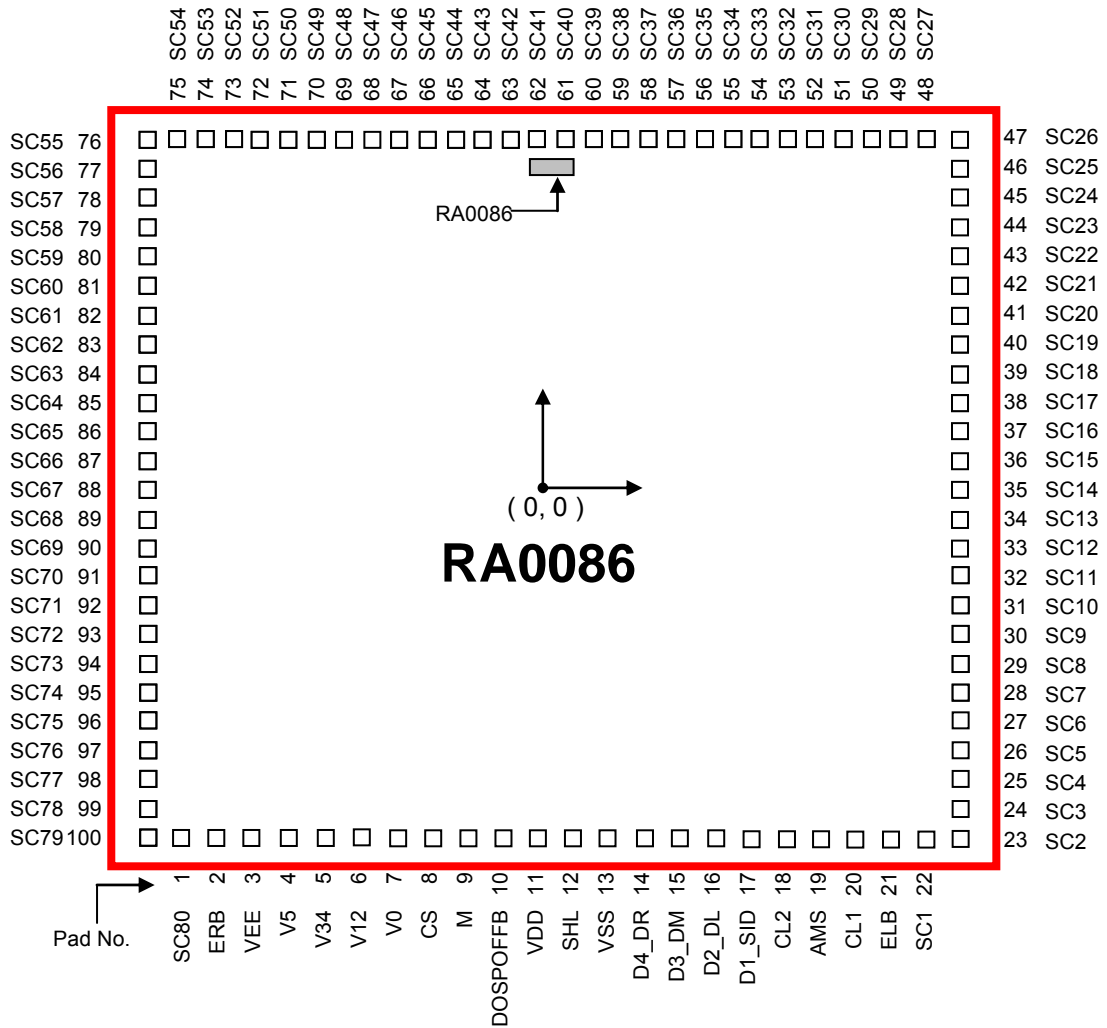


Figure 7-2

NOTE : Die Size=2956.6*2452.6um

Table 7-1

Die Size	2956.6*2452.6um
Pad Size 1	Pad #2~#21 : 80*45um
Pad Size 2	Pad #1, #22~#100 : 68*45um

Table 7-2

Parts Number	Package
RA0086	Die
RA0086L3N	LQFP-100 pin

7-3 PAD Coordinate

Pad.No	Pad Name	X-axis	Y-axis
1	SC80	1238.4	1082.1
2	ERB	1098.6	1082.1
3	VEE	977.6	1082.1
4	V5	862.6	1082.1
5	V34	747.6	1082.1
6	V12	626.6	1082.1
7	V0	511.6	1082.1
8	CS	396.6	1082.1
9	M	281.6	1082.1
10	DISPOFFB	166.6	1082.1
11	VDD	51.6	1082.1
12	SHL	-63.4	1082.1
13	VSS	-178.4	1082.1
14	D4_DR	-293.4	1082.1
15	D3_DM	-408.4	1082.1
16	D2_DL	-523.4	1082.1
17	D1_SID	-638.4	1082.1
18	CL2	-753.4	1082.1
19	AMS	-868.4	1082.1
20	CL1	-983.4	1082.1
21	ELB	-1098.4	1082.1
22	SC1	-1238.4	1082.1
23	SC2	-1383.3	1071.2
24	SC3	-1383.3	980.2
25	SC4	-1383.3	889.2
26	SC5	-1383.3	798.2
27	SC6	-1383.3	707.2
28	SC7	-1383.3	616.2
29	SC8	-1383.3	525.2
30	SC9	-1383.3	434.2
31	SC10	-1383.3	343.2
32	SC11	-1383.3	252.2
33	SC12	-1383.3	161.2
34	SC13	-1383.3	70.2
35	SC14	-1383.3	-20.8

Pad.No	Pad Name	X-axis	Y-axis
36	SC15	-1383.3	-111.8
37	SC16	-1383.3	-202.8
38	SC17	-1383.3	-293.8
39	SC18	-1383.3	-384.8
40	SC19	-1383.3	-475.8
41	SC20	-1383.3	-566.8
42	SC21	-1383.3	-657.8
43	SC22	-1383.3	-748.8
44	SC23	-1383.3	-839.8
45	SC24	-1383.3	-930.8
46	SC25	-1383.3	-1021.8
47	SC26	-1383.3	-1112.8
48	SC27	-1228.5	-1131.3
49	SC28	-1137.5	-1131.3
50	SC29	-1046.5	-1131.3
51	SC30	-955.5	-1131.3
52	SC31	-864.5	-1131.3
53	SC32	-773.5	-1131.3
54	SC33	-682.5	-1131.3
55	SC34	-591.5	-1131.3
56	SC35	-500.5	-1131.3
57	SC36	-409.5	-1131.3
58	SC37	-318.5	-1131.3
59	SC38	-227.5	-1131.3
60	SC39	-136.5	-1131.3
61	SC40	-45.5	-1131.3
62	SC41	45.5	-1131.3
63	SC42	136.5	-1131.3
64	SC43	227.5	-1131.3
65	SC44	318.5	-1131.3
66	SC45	409.5	-1131.3
67	SC46	500.5	-1131.3
68	SC47	591.5	-1131.3
69	SC48	682.5	-1131.3
70	SC49	773.5	-1131.3

Pad.No	Pad Name	X-axis	Y-axis
71	SC50	864.5	-1131.3
72	SC51	955.5	-1131.3
73	SC52	1046.5	-1131.3
74	SC53	1137.5	-1131.3
75	SC54	1228.5	-1131.3
76	SC55	1383.3	-1112.8
77	SC56	1383.3	-1021.8
78	SC57	1383.3	-930.8
79	SC58	1383.3	-839.8
80	SC59	1383.3	-748.8
81	SC60	1383.3	-657.8
82	SC61	1383.3	-566.8
83	SC62	1383.3	-475.8
84	SC63	1383.3	-384.8
85	SC64	1383.3	-293.8
86	SC65	1383.3	-202.8
87	SC66	1383.3	-111.8
88	SC67	1383.3	-20.8
89	SC68	1383.3	70.2
90	SC69	1383.3	161.2
91	SC70	1383.3	252.2
92	SC71	1383.3	343.2
93	SC72	1383.3	434.2
94	SC73	1383.3	525.2
95	SC74	1383.3	616.2
96	SC75	1383.3	707.2
97	SC76	1383.3	798.2
98	SC77	1383.3	889.2
99	SC78	1383.3	980.2
100	SC79	1383.3	1071.2